

TTX STABILIZER LINKS

**ENGINEERED
TO LAST LONGER**

**DESIGNED
FOR EASIER
INSTALLATION**

Ultimate Engineering for Maximum Performance

TTX Suspension Stabilizer Links are engineered with cutting-edge technology designed to excel in the most demanding operating environments. Built with innovative labor savers and everything you need right in the box to make your auto repairs faster and easier.



Sintered Metal Strength

Get longer part life and extra durability with tough, self-lubricating sintered bearings.



Keep Water and Debris Out

Keep grease in and contaminants out with the patented, high strength multi-lip boot that mechanically locks into the housing.



More Material

Get longer part life with thicker hex forging and large diameter ball pins that minimize loading and flex.

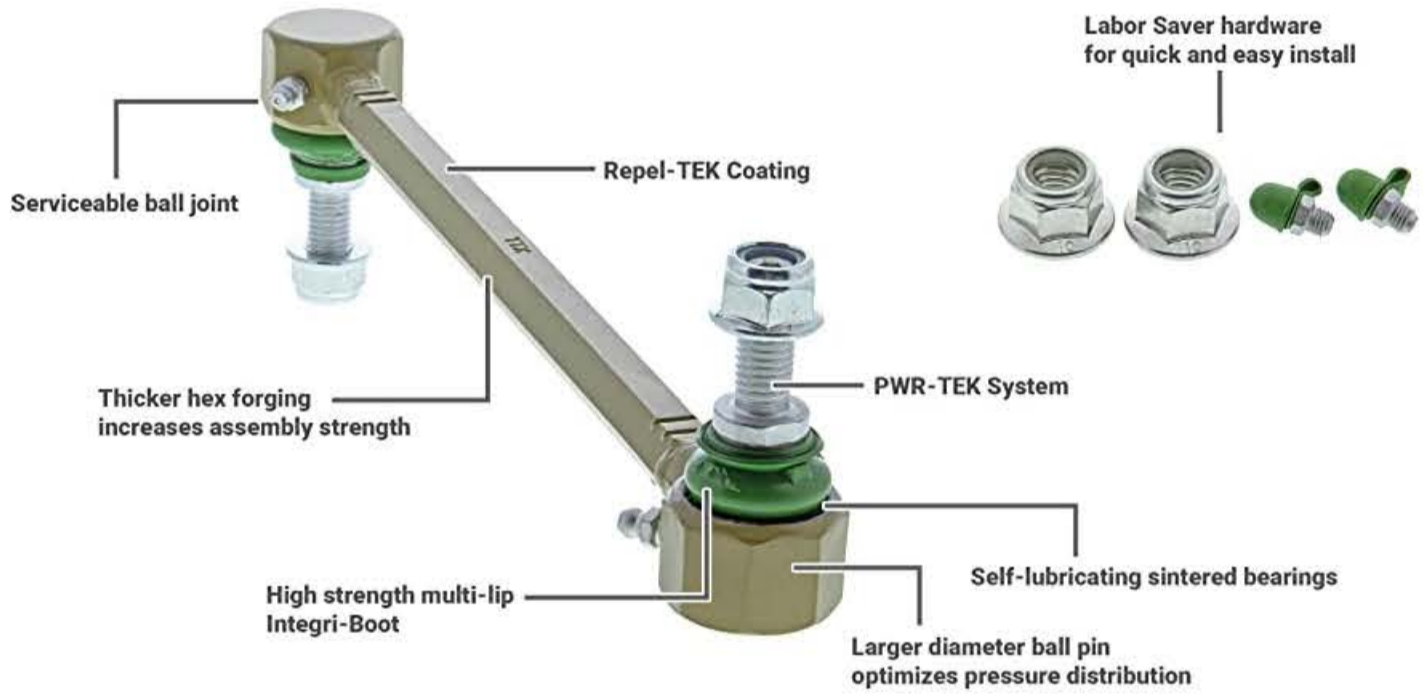


Corrosion Protection

Get increased protection and prevent rust build-up with Repel-TEK anticorrosion coating.

TTX Suspension Stabilizer Links

Featuring Mevotech's PWR-TEK system, which includes high-strength alloy steel, larger diameter ball pins and sintered bearings. Combined with patented boot designs, thicker hex forging, Repel-TEK advanced corrosion protection and premium grease, TTX stabilizer links are built for extreme performance.



Part of a Job Well Done

TTX Suspension Stabilizer Links are built to last, no matter how demanding you are on your vehicle. With engineered component upgrades, TTX Suspension Stabilizer Links deliver maximum durability and increased part life for high-usage commercial and passenger vehicles.



Labor Saver Advantages

Save time and money with everything you need included right in the box.



X-Factor Upgrades

Engineered enhancements and upgrades that maximize durability and performance.



Innovation You Can Trust

Make Mevotech innovation your advantage with over 12 patented chassis technologies and counting.



Quality You Can Count On

Rigorous testing means Mevotech parts outperform time after time.